

SURGE-TRAP® STXH SERIES

SURGE PROTECTIVE DEVICE

NEMA DEVICES FOR ANSI/UL 1449 TYPE 1 AND 2 APPLICATIONS



The most compact of the STX series offering, the Surge-Trap® Type 1 STXH meets requirements for UL1449 4th Edition and is suitable for any 120/240VAC split phase application. The STXH Series SPD features TPMOV® technology inside making it the safest product available in its category. Its compact size, performance, and reliability are especially ideal for HVAC applications and direct mounting to air condition disconnect switches.

FEATURES AND BENEFITS:

- Designed with the industry leading Mersen TPMOV® Technology
- Compact footprint designed to mate with AC Disconnect Switches
- LED status indicator (ON = Good, OFF = Replace)
- NEMA 4X enclosure for outdoor or indoor use
- Fits 1/2" knockouts with 18" leads for easy installation
- For use in ANSI/UL Type 1 or 2 SPD installations
- 3 Modes of Protection (L-N, L-L)
- 3-year warranty

RATINGS:

- **Volts (U_n):** 120V Single Phase, 120/240VAC Split Phase
- **Nominal Discharge Current Rating (I_n):** 20kA
- **Surge Capacity (per phase and per mode):** 50kA
- **Short-Circuit Current Rating (SCCR):** 200kA

APPROVALS:

- ANSI/UL 1449 4th Edition, Type 1 SPD, File E210793
- CSA C22.2, Type 1 SPD
- ANSI/IEEE C62.41.1, C62.41.2, C62.45
- UL96A Lightning Protection
- RoHS Compliant



Shah & Shah Enterprise

www.shahent.co.in

GENERAL PRODUCT SPECIFICATIONS

Mounting:	1/2" – 14 threaded hub Includes sealing locking washer	Operating & Storage Temperature:	-40°C to +85°C
Wiring:	Pre-wired 18" 10AWG	Relative Humidity Range:	0 to 95% non-condensing
Enclosure:	NEMA 4X Non-metallic	Visual End-of-Life Indicator:	GREEN = OK, OUT = REPLACE
Flammability:	UL94-5VA	Frequency:	50-60Hz

CATALOG NUMBER (INCLUDES SUFFIXES*)	SYSTEM VOLTAGE AND CONFIGURATION	I _n	MAXIMUM CONTINUOUS OPERATING VOLTAGE (MCOV, U _c)				VOLTAGE PROTECTION RATING (VPR) (UL 1449, 6kA, 3kV)			
			L-N	L-G	L-L	N-G	L-N	L-G	L-L	N-G
STXH120P05	120V Single Phase (2W)	20kA	150	-	-	-	600	-	-	-
STXH120P05N	120V Single Phase (2W+G)	20kA	150	300	-	150	600	1000	-	600
STXH240S05	240/120V Split Phase (3W)	20kA	150	-	300	-	600	-	1000	-

LED Status Indicator

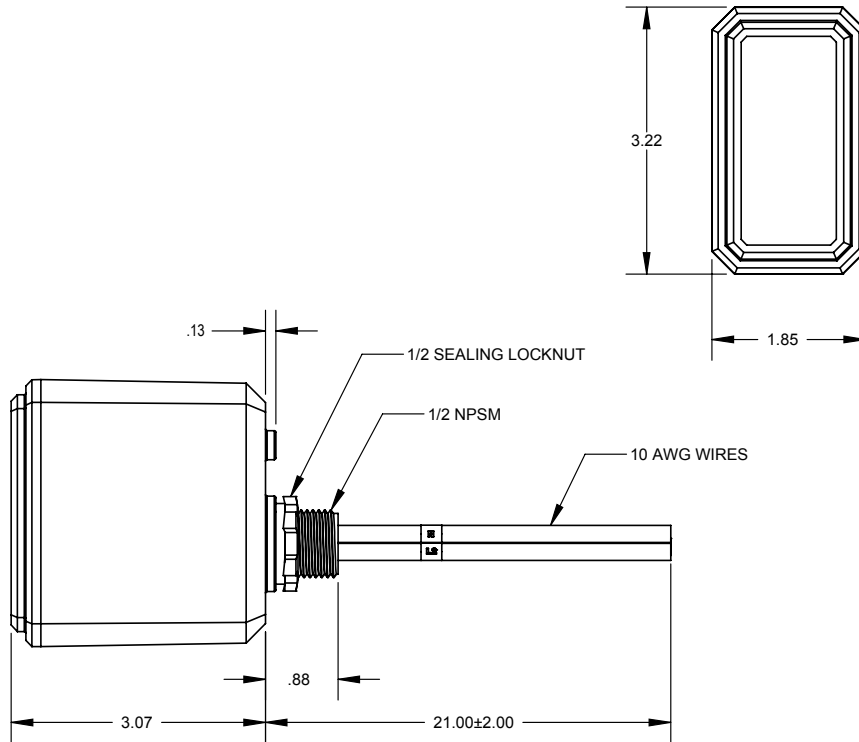


Visible from side profile through light tube in cover



1/2"-14 Mounting Hub

Dimensions and Mounting Configurations



Ideal for Air Conditioning Disconnect Applications

